

CC3700TE ELECTRIC TWIN SHAFT SAW



**SELF
PROPELLED**

20"-36"

Features:

- 36" maximum blade capacity
- Self-propelled hydrostatic transmission
- Slip-on blade guard

Benefits:

- The most powerful electric saw available on a medium saw platform
- Twin shafts for quick blade size change
- Frame designed for higher torque from high horsepower engines
- Splash-proof control box with amp meter

**Run More Blade
Sizes at Optimal
Speeds**



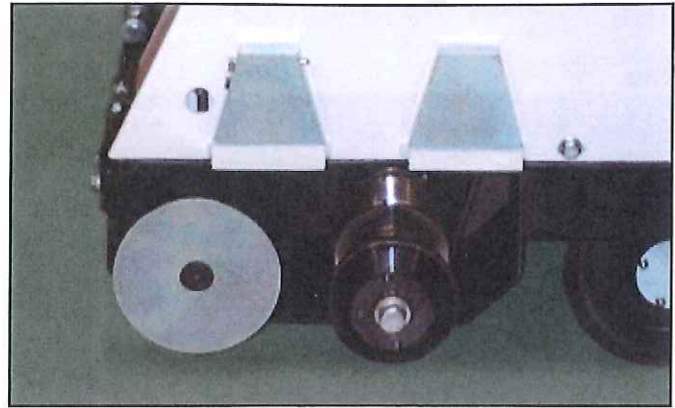
Horsepower as
rated by the engine
manufacturer

Parts List # 1800919



CC3700TE Control Panel

Large electric saws feature an electric controller/starter and a 2" emergency stop button within easy reach of the operator.



Twin Blade Shafts Allows Quick Blade Size Changes

CC3700TE Specifications:

- Maximum depth of cut with 20" blade: 7-1/2"
- Maximum depth of cut with 26" blade: 10-1/2"
- Maximum depth of cut with 30" blade: 11-3/4"
- Maximum depth of cut with 36" blade: 14-3/4"
- Blade shaft diameter: 1-3/4"
- Arbor size: 1" w/drivepin
- Blade shaft drive: 8 belt
- Blade mounting: Right or Left
- Blade raise & lower: Electro-hydraulic pump
- Transmission (self propelled only): Eaton Model 10
- Drive speed: 0-200 feet/min

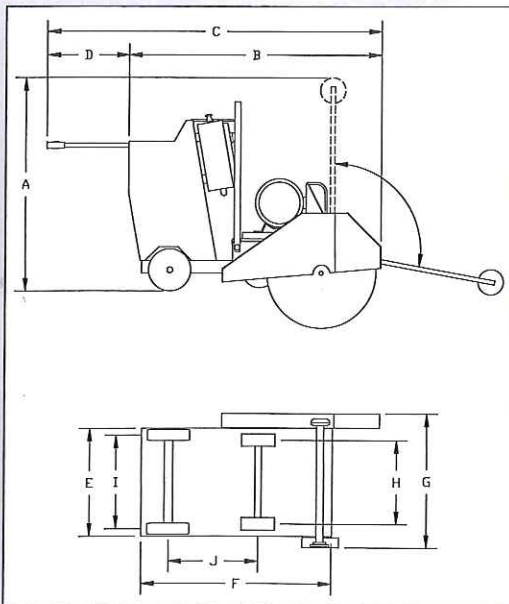
INCLUDES:

- Hour meter
- Cutting depth indicator
- Quick disconnect blade flanges
- Amp meter
- Frame lift
- Telescoping front pointer

CC3700TE OPTIONS

DESCRIPTION	PART #	CAT #	List Price
Water Pump (electric)	6011032	02506	\$418
Spot Light	6010112	02427	154
Spot Light Kit for Soft Start Electric Models	6012182	27477	228
Lowering Speed Metering Valve	6010227	02480	234
Soft Start Controller Add On for 230/460 volt*	6012187A	14310	3,723
Soft Start Controller Add On for 575 volt*	6012187B	14311	3,723
20" Tapered Mount Blade Guard	6010952	08213	558
26" Tapered Mount Blade Guard	6010954	19322	719
30" Tapered Mount Blade Guard	6010956	20456	889
36" Tapered Mount Blade Guard	6010958	13375	998

* Factory installed



CC3700TE Dimensions:

- A. Saw Height 49"
- B. Minimum Length, Pointer Up Handle in Lower Position 59"
- C. Maximum Length, Pointer Down, Handle in Upper Position 116"
- D. Handle Extension 24"
- E. Frame Width 25-3/4"
- F. Frame Length 46"
- G. Saw Width 32-1/4"
- H. Front Axle Center Length 19-7/8"
- I. Rear Axle Center Length 22-5/8"
- J. Wheel Base Length 21-3/8"
- K. Blade Shaft Max Height 19-1/2"
- Front Wheel Dimensions 6" x 2" x 1"
- Rear Wheel Dimensions 8" x 2" x 1"
- Crated Saw Dimensions 52" L x 34" W x 55" H